



SAMSUNG TECHWIN

HD-SDI

SCV-6081R

1080p over Coax Samsung's 2nd Generation HD-SDI IR Dome Camera



SCV-6081R

1080p HD-SDI IR Vandal-Resistant Dome Camera

- Full HD (1920 × 1080, 30fps) mega resolution, HD (1280 × 720, 60fps)
- Min. Illumination 0Lux (IR LED on)
- 2.8x (3 ~ 8.5mm) motorized V/F lens
- Samsung Simple Focus (Motorized varifocal lens with one touch focus)
- 100dB Wide Dynamic Range (WDR)
- True Day & Night (ICR), MD, IP66
- SSNR III (3D+2D), RS-485, Coax, Dual power

The SCV-6081R is Samsung's 2nd generation HD-SDI Dome Camera, now IP66 rated, and featuring integrated IR illumination LEDs. The SCV-6081R is capable of delivering high definition video at up to 60 frames per second, with virtually zero lag, using the Serial Digital Interface (SDI) standard on conventional coaxial cable. This camera features Samsung Simple Focus, Samsung Super Dynamic Range (SSDR), and Samsung Super Noise Reduction (SSNR III) technology, as well as a True Day Night infrared cut filter, and Wide Dynamic Range rated at 100dB.

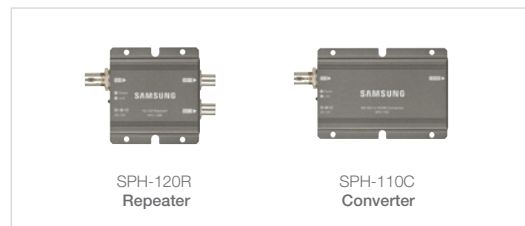


Specifications

	SCV-6081RN/P
VIDEO	
Imaging Device	1/3" Progressive scan CMOS
Total Pixels	2,010(H) x 1,108(V), 2.2M pixels
Effective Pixels	1,944(H) x 1,092(V), 2.1M pixels
Scanning System	Progressive
Min. Illumination	Color : 1Lux@F1.2, 0.015Lux (Sens-up, 60x) B/W : 0Lux (IR LED on)
S / N Ratio	50dB (AGC off, Weight on)
Video Output	SMPTE292M (HD-SDI)
LENS	
Focal Length (Zoom Ratio)	3 ~ 8.5mm (2.8x) motorized varifocal
Max. Aperture Ratio	F1.2
Angular Field of View	H : 105.5°(Wide) ~ 37.1°(Tele) / V : 57.5°(Wide) ~ 21.0°(Tele)
Min. Object Distance	0.5m (1.64ft)
Lens Type	DC auto iris
Mount Type	Board-in type
PAN / TILT / ROTATE	
Pan / Tilt / Rotate Range	0° ~ 354° / 0° ~ 67° / 0° ~ 355°
OPERATIONAL	
On Screen Display	English, Korean, French, German, Spanish, Italian, Chinese, Russian, Polish, Swedish, Danish, Portuguese, Japanese, Serbian, Czech, Romanian, Turkish
Camera Title	Off / On (Displayed up to 15 characters)
Day & Night	Auto (ICR) / External / Color / B/W
Backlight Compensation	Off / User BLC / HLC / WDR
Wide Dynamic Range	100dB
Contrast Enhancement	SSDR (Off / On)
Digital Noise Reduction	SSNR III (Off / On)
Digital Image Stabilization	Off / On
Motion Detection	Off / On
Privacy Masking	Off / On (4ea polygonal + 16ea rectangular zones)
Sens-up (Frame Integration)	Off / Auto (2x ~ 60x)
Gain Control	Off / Low / Medium / High
White Balance	ATW / Outdoor / Indoor / Manual / AWC (1,700°K ~ 11,000°K)
Electronic Shutter Speed	ESC / A.FLK / Manual
Digital Zoom	Off / On (1x ~ 16x)
Reverse	Off / H-Rev / V-Rev / HV-Rev
Profile	Built-in
PIP	Off / On
Intelligent Video Analytics	Tampering, Virtual line, Enter/Exit, Appear / Disappear
Alarm	(MD) output 1, External D/N in 1
Remote Control Interface	RS-485
Protocol	RS-485 : Samsung-T/E, Pelco-D/P, Panasonic, Bosch, Honeywell, Vicon, AD, GE
IR Distance	15m (49.21ft, IR LED : 12ea)
ENVIRONMENTAL	
Operating Temperature / Humidity	-10°C ~ +55°C (+14°F ~ +131°F) / Less than 90% RH
Ingress Protection	IP66 grade
ELECTRICAL	
Input Voltage / Current	Dual (24V AC & 12V DC ±10%)
Power Consumption	Max. 6W
MECHANICAL	
Color / Material	Ivory / Aluminum
Dimensions (WxH)	Ø160.0 x 118.5mm (Ø6.3" x 4.67")
Weight	960g (2.12 lb)
TRANSMISSION DISTANCE	
5C2V (75ohm)	Max. 100 ~ 140m
L-6CHD (75ohm)	Max. 200m

* This transmission distance is theoretically calculated number, and real transmission distance can be affected by installation environment.

HD CCTV Kit



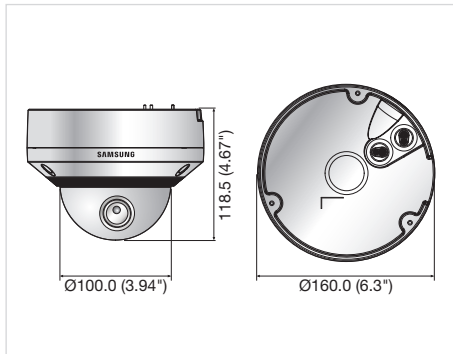
Applicable Model



Design and specifications are subject to change without notice.

Dimensions

Unit : mm (inch)



Accessory (Optional)



The Eco mark represents Samsung Techwin's will to create environment-friendly products, and indicates that the product satisfies the EU RoHS Directive.

■ DISTRIBUTED BY

