



SAMSUNG TECHWIN

iPOLiS,
Your smart security solution

SNB-6003

The Wise Choice for Professionals



SNB-6003

2MP 1080p Full HD Network Camera

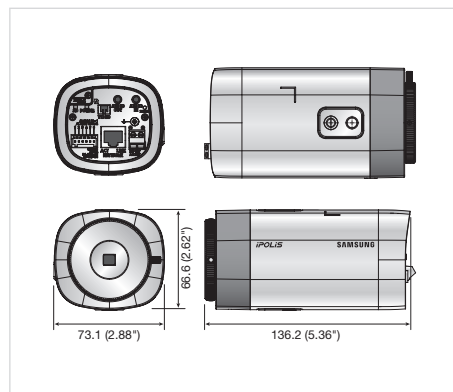
- Max. 2M (1920x1080) resolution, 1080p Full HD support
- 60fps @1080p Full HD
- P-iris
- Day & Night (Electrical), Enhanced DIS, Defog
- WDR (120dB, 30fps @ 2MP)
- Built-in SD/SDHC/SDXC memory slot
- Multi-crop streaming

The SNB-6003 is a camera from Samsung Techwin WiseNetIII network ranges which feature the most advanced functions from Samsung with 2 megapixel 1080p of high definition images. Its high functionalities includes 120dB WDR which delivers 30fps at 2 megapixel 1080p, low light performance down to 0.1 lux (F1.2, 50IRE, color) creating clear images under low light conditions, and P-iris support which result in images with better contrast, clarity, resolution and depth of field. With enhanced features and new technologies which combat the challenges of though environmental conditions, the SNB-6003 will meet the market need which requires professional security.



Dimensions

Unit : mm (inch)



Accessory (optional)



Specifications



| | SNB-6003N/P |
|-----------------------------------|--|
| VIDEO | |
| Imaging Device | 1/2.8" PS Exmor 2.38M CMOS |
| Total Pixels | 1,952(H) x 1,116(V) |
| Effective Pixels | 1,944(H) x 1,104(V) |
| Scanning System | Progressive |
| Min. Illumination | Color : 0.1Lux (F1.2, 50IRE), B/W : 0.1Lux (F1.2, 50IRE) |
| S / N Ratio | 50dB |
| Video Output | CVBS : 1.0 Vp-p / 75Ω composite, 704 x 480(N), 704 x 576(P), for installation DIP connector type |
| LENS | |
| Focus Control | Manual |
| Lens Type | Manual / DC auto iris, P-Iris |
| Mount Type | C / CS |
| OPERATIONAL | |
| Camera Title | Off / On (Displayed up to 45 characters) |
| Day & Night | Auto (Electrical) / Color / B/W / External / Schedule |
| Backlight Compensation | Off / BLC |
| Wide Dynamic Range | 120dB |
| Contrast Enhancement | SSDR (Samsung Super Dynamic Range) (Off / On) |
| Digital Noise Reduction | SSNR/III (2D+3D noise filter) (Off / On) |
| Digital Image Stabilization | Off / On |
| Defog | Off / Auto / Manual |
| Motion Detection | Off / On (4ea 4points polygonal zones) |
| Privacy Masking | Off / On (32zones with 4points of polygonal) |
| Gain Control | Off / Low / Middle / High |
| White Balance | ATW / AWC / Manual / Indoor / Outdoor |
| Electronic Shutter Speed | Minimum / Maximum / Anti flicker (2 ~ 1/12,000sec) |
| Flip / Mirror | Off / On |
| Intelligent Video Analytics | Tampering, Virtual line, Enter/Exit, Appear / Disappear, Audio detection, Face detection |
| Alarm I/O | Input 1ea / Output 1ea |
| Remote Control Interface | RS-485 |
| RS-485 Protocol | Samsung-T/E, Pelco-P/D, Sungjin |
| Alarm Triggers | Motion detection, Audio detection, Face detecton, Video analytics, Alarm input, Network disconnection |
| Alarm Events | File upload via FTP and E-mail, Notification via E-mail, TCP and HTTP, Local storage (SD/SDHC/SDXC) recording at Network disconnected & Event (Alarm triggers), External output |
| NETWORK | |
| Ethernet | RJ-45 (10/100BASE-T) |
| Video Compression Format | H.264 (MPEG-4 part 10/AVC), MJPEG |
| Resolution | 1920 x 1080, 1280 x 1024, 1280 x 960, 1280 x 720, 1024 x 768, 800 x 600, 800 x 450, 640 x 480, 640 x 360, 320 x 240, 320 x 180 |
| Max. Framerate | H.264 : Max. 60fps at all resolutions MJPEG : 1920 x 1080, 1280 x 1024, 1280 x 960, 1280 x 720, 1024 x 768 : Max. 15fps 800 x 600, 800 x 450, 640 x 480, 640 x 360, 320 x 240, 320 x 180 : Max.30fps |
| Video Quality Adjustment | H.264 : Compression level, Target bitrate level control, MJPEG : Quality level control |
| Bitrate Control Method | H.264 : CBR or VBR, MJPEG : VBR |
| Streaming Capability | Multiple streaming (Up to 10 profiles) |
| Audio I/O | Selectable (Mic in / Line in), Max output level : 1 Vrms Supply voltage : 3.3V DC (4mA), Input impedance : approx. 2K Ohm |
| Audio Compression Format | G.711 u-law / G.726 selectable, G.726 (ADPCM) 8KHz, G.711 8KHz G.726 : 16Kbps, 24Kbps, 32Kbps, 40Kbps |
| Audio Communication | Bi-directional audio |
| IP | IPv4, IPv6 |
| Protocol | TCP/IP, UDP/IP, RTP(UDP), RTP(TCP), RTSP, RTSP, NTP, HTTP, HTTPS, SSL, DHCP, PPPoE, FTP, SMTP, ICMP, IGMP, SNMPv1/v2c/v3(MIB-2), ARP, DNS, DDNS, QoS, PIM-SM, UPnP, Bonjour |
| Security | HTTPS(SSL) login authentication, Digest login authentication IP address filtering, User access log, 802.1x authentication |
| Streaming Method | Unicast / Multicast |
| Max. User Access | 15 users at unicast mode |
| Memory Slot | Micro SD/SDHC/SDXC |
| Application Programming Interface | Motion images recorded in the SDXC/SDHC/SD memory card can be downloaded |
| Webpage Language | ONVIF profile S, HTTP API v2.0, S/NP 1.2 |
| | English, French, German, Spanish, Italian, Chinese, Korean, Russian, Japanese, Swedish, Danish, Portuguese, Turkish, Polish, Czech, Rumanian, Serbian, Dutch, Croatian, Hungarian, Greek, Norwegian, Finnish, Norwegian |
| Web Viewer | Supported OS : Windows XP / VISTA / 7 / 8, MAC OS X 10.7 Supported Browser : Microsoft Internet Explorer (Ver. 10, 9, 8, 7), Mozilla Firefox (Ver. 19, 18, 17, 16, 15, 14, 13, 12, 11, 10, 9), Google Chrome (Ver. 25, 24, 23, 22, 21, 20, 19, 18, 17, 16, 15), Apple Safari (Ver. 6.0.2(Mac OS X 10.8, 10.7 only), 5.1.7) * Mac OS X only |
| Central Management Software | SmartViewer 4.0 |
| ENVIRONMENTAL | |
| Operating Temperature / Humidity | -10°C ~ +55°C (+14°F ~ +131°F) / Less than 90% RH |
| Storage Temperature / Humidity | -30°C ~ +60°C (-22°F ~ +140°F) / Less than 90% RH |
| ELECTRICAL | |
| Input Voltage / Current | 24V AC, 12V DC, PoE (IEEE802.3af class3) |
| Power Consumption | Max. 10.5W (24V AC), Max. 8.5W (12V DC), Max. 10.0W (PoE, Class3) |
| MECHANICAL | |
| Color / Material | Black, Ivory / Aluminium, Plastic |
| Dimensions (WxHxD) | 73.1 x 66.6 x 136.2mm (2.88" x 2.62" x 5.36") |
| Weight | 330g (0.73 lb) |

* Data recorded on an SD memory card may be lost or damaged by data access during power-off, mechanical shock, memory card detachment, or other operations. Data loss or damage can also occur when a memory card reaches end of life, which varies according to operational conditions. No guarantee is given against damage (including passive damage).



The Eco mark represents Samsung Techwin's will to create environment-friendly products, and indicates that the product satisfies the EU RoHS Directive.

Design and specifications are subject to change without notice.

■ DISTRIBUTED BY



SAMSUNG TECHWIN CO., LTD. 701, Sampyeong-dong, Bundang-gu, Seongnam-si, Gyeonggi-do Korea 463-400
Tel : +82-70-7147-8741~8749, 8752~8760 Fax : +82-31-8018-3745 www.samsungsecurity.com www.samsungcctv.com

SAMSUNG TECHWIN AMERICA INC.
100 Challenger Rd. Suite 700 Ridgefield Park, NJ 07660
Toll Free : +1-877-213-1222 Direct : +1-201-325-6920
Fax : +1-201-373-0124
www.samsungcctvusa.com

SAMSUNG TECHWIN EUROPE LTD.
2st floor No5, The Height, Brookland, Weybridge, Surrey,
U.K. KT13 0NY
Tel : +44 1932 82 6700

SHANGHAI SAMSUNG TECHWIN CO., LTD.
32F, Blk B, International Business Center, No. 391 Guiping Rd.,
Shanghai, China 200233
Tel : 021-5427-1155 Fax : 021-5423-5122



SAMSUNG TECHWIN