



SAMSUNG TECHWIN

# Full HD CCTV Redefined for your safety

## 1080p HDTV Hybrid All-In-One Security Kit

# SDH-P5081

16 Channel 1080p HDTV Hybrid DVR Security System

### DVR

- Full HD (4CH) & SD (12CH) hybrid DVR
- 1080p & 720p real-time recording
- 960H (WD1) real-time recording support
- Auto port forwarding with quick connect technology
- HDMI outputs for convenient connection to HDTVs or monitors

### Camera

- 1080p Full HD resolution camera (x 4)
- 720TV lines SD camera\* (x 4)
- True Day & Night with ICR for perfect color reproduction
- IP66 weather resistant
- Samsung Super Dynamic Range feature to increase the brightness of the dark area (SSDR)
- Night vision up to 98ft (30m)

\* SDC-7340BCN : 720TV lines / SDC-7340BCP : 700TV lines



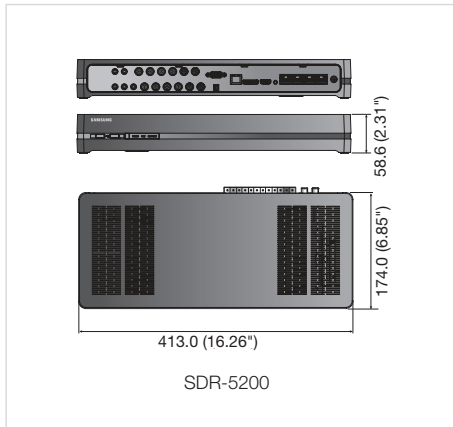
# SDH-P5081



SDR-5200

## Dimensions

Unit : mm (inch)



SDR-5200

## Kit Contents

- DVR (SDR-5200)
- Camera (SDC-9440BU) 4pcs
- Camera (SDC-7340BC) 4pcs
- Remote Control / Battery [Optional] / Mouse
- Adapter / Power Cord
- 60ft CAT5E UTP Camera Cable 4pcs
- 60ft BNC Camera Cable 4pcs
- CD [Smart Viewer, User Manual]
- Quick Guide / Network Cable
- HDMI Cable

		SDR-5200N	SDR-5200P
<b>DISPLAY</b>			
Video	Inputs	4CH UTP, 12CH BNC (Composite)	
	Resolution	1920 x 1080 (Full HD) / 960 x 480 (SD)	1920 x 1080 (Full HD) / 960 x 576 (SD)
Live	Frame Rate	120fps@1920 x 1080 + 360fps@960 x 480	100fps@1920 x 1080 + 300fps@960 x 576
	Resolution	1920 x 1080 (Full HD) / 960 x 480 (SD)	1920 x 1080 (Full HD) / 960 x 576 (SD)
	Multi Screen Display	1 / 4 / 7 / 8 / 9 / 13 / 16 / Sequence / PIP	
<b>PERFORMANCE</b>			
Operating System	Embedded	Linux	
	Compression	H.264	
Recording	Record Rate	Up to 120fps@1920 x 1080 + 360fps@960 x 480	Up to 100fps@1920 x 1080 + 300fps@960 x 576
	Mode	Manual, Schedule (Continuous / Event), Event (Pre / Post), Time lapse (1 ~ 30fps)	Manual, Schedule (Continuous / Event), Event (Pre / Post), Time lapse (1 ~ 25fps)
	Event	Video loss, Motion (Sensitivity Level 1 ~ 10), Tampering	
	Overwrite Modes	Continuous	
	Pre-alarm	Off / 5sec	
	Post-alarm	Up to 6hour (5,10, 20, 30sec, 1, 3, 5, 10, 20min, 1, 2, 3, 4, 5, 6hour)	
	Search Mode	Date/time, Event, Back up, Motion (*All search included prview function)	
Search & Playback	Playback Function	Fast forward / backward (2x, 4x, 8x, 16x, 32x, 64x) *Backward play with I-frame only Slow forward / backward (1/2x, 1/4x, 1/8x) Step forward / backward *Backward play with I-frame only	
	Transmission Speed	4CIF 120fps / 2CIF 240fps / CIF 480fps	4CIF 100fps / 2CIF 200fps / CIF 400fps
Network	Bandwidth	Up to 32Mbps	
	Bandwidth Control	Selectable	
	Live Stream	H.264 (4CIF / 2CIF / CIF selectable)	
	Max. Remote Users	Search 3 / Live unicast 10 / Live multicast 20	
	Protocol Support	TCP/IP, DHCP, PPPoE, SMTP, NTP, HTTP, DDNS, RTP, RTSP, UPnP	
	Monitoring	SmartViewer, Webviewer, Mobile Viewer	
	Web / App Viewer	Supported OS - PC : Windows XP / VISTA / 7 / 8, MAC OS X 10.7 / 10.9 - Mobile : Android OS v.2.3.5, v4.0.3, v4.1.2, 4.2, v4.3 / iOS OS v5.1.1, v6.0, v6.0.2, v6.1, v7.0 Supported Browser - Microsoft Internet Explorer (Ver. 11, 10, 9, 8, 7), Mozilla Firefox (Ver. 19, 18, 17, 16, 15, 14, 13, 12, 11, 10, 9), Google Chrome (Ver. 25, 24, 23, 22, 21, 20, 19, 18, 17, 16, 15), Apple Safari (v5.1, v6.1, v7.0) (Mac OS X only - 10.9, 10.8, 10.7)	
Smart Phone	Protocol Support	RTP, RTSP, HTTP, CGI	
	Transmission Speed	CIF max. 16fps (Single channel) / CIF max. 4fps (Quad channel)	
	Max. Remote Users	Live 1	
	Internal HDD	1 SATA HDD (2TB)	
Storage	External HDD / DVD Writer	1 e-SATA I/F (Up to 2TB)	
	USB (Back up)	2 USB ports	
	File Format (Back up)	BU (DVR player), EXE (Includes player)	
Security	Password Protection	1 Admin, 10 Group, 10 User per 1group	
	Data Authentication	Watermark	
<b>INTERFACE</b>			
Monitors	VGA	1 VGA (1280 x 720, 1280 x 1024, 1920 x 1080) 60Hz	1 VGA (1280 x 720, 1280 x 1024, 1920 x 1080) 50Hz
	HDMI	1 HDMI (1280 x 720, 1280 x 1024, 1920 x 1080) 60Hz	1 HDMI (1280 x 720, 1280 x 1024, 1920 x 1080) 50Hz
Audio	Simultaneous Output	VGA and HDMI	
	Inputs / Output	4CH line in / 1CH line out	
	Compression	G.711	
Alarm	Sampling Rate	8KHz	
	Remote Notification	Notification via e-mail	
Connections	Ethernet	1 RJ-45 10/100Mbps Base-T	
	Serial interface	RS-485	
	USB	USB 2.0, 2 ports (Front)	
	e-SATA	e-SATA 3.0	
	Application Support	Mouse, Remote control	
	Protocol Support (RS-485)	Samsung-T/E, Pelco-D/P, Panasonic, Phillips, AD, Vicon, GE	
<b>GENERAL</b>			
Electrical	Input Voltage / Current	12V DC adaptor, 4A, 100 ~ 250V AC, 50/60Hz	
	Power Consumption	Max. 40W (With 1x HDD + HD CAM 4ea)	
Environmental	Operating Temperature / Humidity	0°C ~ +40°C (+32°F ~ +104°F) / 20% ~ 85%RH	
Mechanical	Dimensions (WxHxD)	413.0 x 58.6 x 174.0mm (16.26" x 2.31" x 6.85")	
	Weight (With hard disks)	1.58Kg (3.48 lb)	
Language	Korean, Japanese, Chinese (Simplified), English, French, German, Spanish (European), Italian, Russian, Polish, Czech, Turkish, Dutch, Portuguese (South American), Swedish, Danish, Thai, Romanian, Serbian, Croatian, Hungarian, Greek, Chinese (Traditional), Finnish, Norwegian (25 Language)		

Design and specifications are subject to change without notice.



The Eco mark represents Samsung Techwin's will to create environment-friendly products, and indicates that the product satisfies the EU RoHS Directive.

**SAMSUNG TECHWIN**

## SDH-P5081



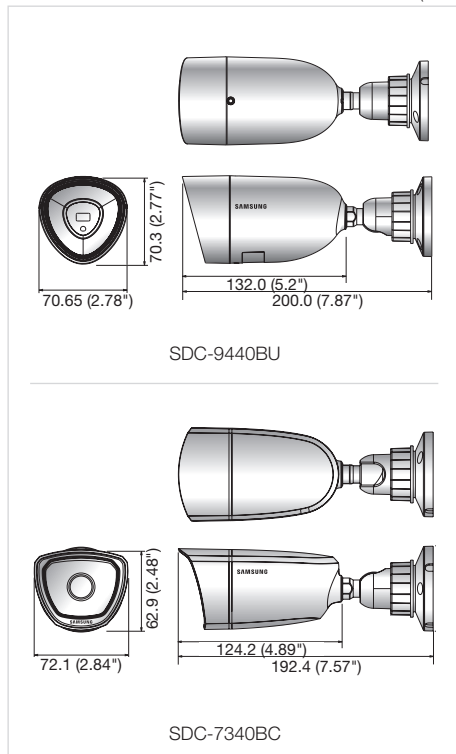
SDC-9440BU



SDC-7340BC

## Dimensions

Unit : mm (inch)



## Kit Contents

- DVR (SDR-5200)
- Camera (SDC-9440BU) 4pcs
- Camera (SDC-7340BC) 4pcs
- Remote Control / Battery [Optional] / Mouse
- Adapter / Power Cord
- 60ft CAT5E UTP Camera Cable 4pcs
- 60ft BNC Camera Cable 4pcs
- CD [Smart Viewer, User Manual]
- Quick Guide / Network Cable
- HDMI Cable



The Eco mark represents Samsung Techwin's will to create environment-friendly products, and indicates that the product satisfies the EU RoHS Directive.

## SDC-9440BU

VIDEO	
Imaging Device / Effective Pixels	1/2.9" 2M CMOS / 1920 x 1080 (1080p) or higher
Scanning System / Synchronization	Progressive / Internal
Min. Illumination	0Lux (IR LED)
UTP Output	Built-in UTP TX Maximum transmission length : 100m (UTP CAT5e, Solid wire), 50m (UTP CAT5e, Stranded wire)
Camera Connection Time	5 ~ 10sec
Min. Cable Length	60ft (18.3m) included
LENS	
Focal Length	3.6mm
Max. Aperture Ratio	F1.8
Angular Field of View	H : 87.92° / V : 47.66° / D : 103.1°
OPERATIONAL	
Shutter Mode / Gain Control	Auto (Rolling shutter) / Auto
White Balance	Auto (1,800°K ~ 10,500°K)
Contrast Enhancement	SSDR (On)
Digital Noise Reduction	SSNRIII (On)
Day & Night	True Day & Night (ICR)
IR Distance (850nm)	98ft (30m)
ENVIRONMENTAL	
Operating Temperature / Humidity	-10°C ~ +50°C (+14°F ~ +122°F) / 85%RH
Ingress Protection	IP66 grade
ELECTRICAL	
Input Voltage / Power Consumption	12V DC (by PoE) / Max. 4W
MECHANICAL	
Color / Material	White, Silver gray / Plastic (Poly carbonite)
Dimensions (WxHxD)	70.65 x 70.3 x 200.0mm (2.78" x 2.77" x 7.87")
Weight	255g (0.56 lb)

## SDC-7340BCN

## SDC-7340BCP

VIDEO	
Imaging Device	1/3" 960H CMOS
Effective Pixels	976(H) x 494(V)
Scanning System	Interlace
Frequency	H : 15.734KHz / V : 59.94Hz
Horizontal Resolution	720TV lines
Min. Illumination	Color : 7Lux, B/W : 0Lux (IR LED on)
S / N Ratio	46dB
Min. Cable Length	60ft (18.3m) included
LENS	
Focal Length	3.8mm
Max. Aperture Ratio	F2.0
Angular Field of View	H : 60° / V : 48° / D : 72°
OPERATIONAL	
Shutter Mode	Auto (Rolling shutter)
Gain Control	Auto
White Balance	Auto (1,800°K ~ 10,500°K)
Digital Noise Reduction	Auto
Day & Night	Mechanical : Auto (ICR)
IR Distance (850nm)	82ft (25m)
ENVIRONMENTAL	
Operating Temperature / Humidity	-10°C ~ +50°C (+14°F ~ +122°F) / 20% ~ 85%RH
Storage Temperature / Humidity	-20°C ~ +60°C (+4°F ~ +140°F) / 20% ~ 85%RH
Ingress Protection	IP66 grade
ELECTRICAL	
Input Voltage	12V DC
Power Consumption	Max. 3W
MECHANICAL	
Color / Material	White, Silver gray / Plastic (Poly carbonite)
Dimensions (WxHxD)	72.1 x 62.9 x 192.4mm (2.84" x 2.48" x 7.57")
Weight	252g (0.55 lb)

Design and specifications are subject to change without notice.



SAMSUNG TECHWIN