




12x H.264 Network PTZ series




12x H.264 Network PTZ Dome Camera series

SNP-3120/3120V/3120VH



The SNP-3120/3120V/3120VH PTZ dome cameras are equipped with H.264/MPEG-4/MJPEG multi codec, it provides flexibility depending on your network environment. In addition, these cameras support multi-streaming technologies, transferring real-time high resolution images at 30(25)fps.

- Real-time 30(25)fps at 4CIF
 - 12x optical zoom, 16x digital zoom
 - H.264 / MPEG4 / MJPEG multiple codec
 - PoE Plus, SD memory, bi-directional audio support
- 

12x H.264 Network PTZ Dome Camera series

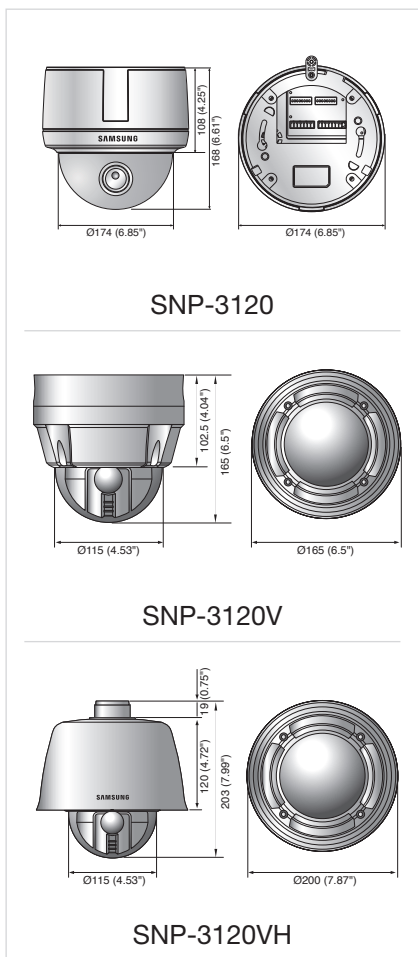
SNP-3120/3120V/3120VH



SNP-3120 SNP-3120V SNP-3120VH

Dimensions

Unit : mm (inch)



SNP-3120

SNP-3120V

SNP-3120VH

Specifications



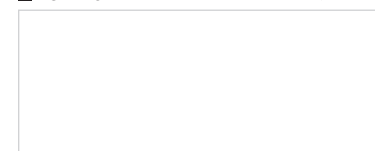
	SNP-3120N/SNP-3120VN/SNP-3120VHN	SNP-3120P/SNP-3120VP/SNP-3120VHP
VIDEO		
Imaging Device	1/4" Ex-view HAD PS CCD	
Total Pixels	811(H) x 508(V)	795(H) x 596(V)
Effective Pixels	768(H) x 494(V)	752(H) x 582(V)
Scanning System	Progressive(VPS ON) (If WDR on, Interlaced Scan)	
Synchronization	Internal / Line lock	
Frequency	H : 15.734KHz / V : 59.94Hz	H : 15.625KHz / V : 50Hz
Horizontal Resolution	Color : 600 TV lines	
Min. Illumination	Color : 0.7 Lux (F1.65, 50IRE), 0.001 Lux (Sens up 512x), B/W : 0.07Lux (F1.65, 50IRE), 0.0001 Lux (Sens up 512x)	
S / N Ratio	50dB	
Video Out	CVBS : 1.0 Vp-p / 75Ω composite	
LENS		
Focal Length (Zoom Ratio)	3.69~44.32mm (12x)	
Max. Aperture Ratio	F1.65(Wide) / F2.01(Tele)	
Angular Field of View	H : 54.44°(Wide) ~ 4.62°(Tele) / V : 42.32°(Wide) ~ 3.58°(Tele)	
Min. Object Distance	0.2m (Wide) / 0.8m (Tele)	
Focus Control	AF / One-Shot AF / Manual	
Lens Type	DC Auto Iris	
PAN / TILT / ROTATE		
Pan Range	360° Endless	
Pan Speed	Preset : 650°/sec, Manual : 0.05°/sec ~120°/sec (Turbo:200°/sec)	
Tilt Range	-5°~185°	
Tilt Speed	Preset : 650°/sec, Manual : 0.05°/sec ~120°/sec	
Preset	255 ea	
Preset Accuracy	±0.1°	
OPERATIONAL		
On Screen Display	English, French, German, Spanish, Italian, Korean, Portuguese English, French, German, Spanish, Italian, Chinese, Portuguese	
Camera Title	Off / On (Displayed up to 12 characters)	
Day & Night	Auto (ICR) / Color / B/W	
Backlight Compensation	Off / BLC / WDR	
Wide Dynamic Range	128x 160x	
Dynamic Range	XDR (eXtended Dynamic Range) (Off/Low/Medium/High)	
Digital Noise Reduction	Motion Adaptive 2D+3D Noise Filter (Off/Low/Medium/High)	
Digital Image Stabilization	Off / On	
Motion Detection	Yes	
Privacy Masking	Off / On (12 Polygonal programmable zones)	
Sens-up (Frame Integration)	Off / Auto (2x ~ 512x)	
Gain Control	Off / Low / Medium / High / Manual	
White Balance	ATW (In) / ATW (Out) / AWC / Manual	
Electronic Shutter Speed	Off / A.FLK / Manual (1/120 ~ 1/10Ksec)	
Digital Zoom	16x	
Flip / Mirror	Digital Flip	
VPS	Off / On	
Intelligent Video Analytics	Moved / Fixed	
Alarm I/O	Input 2ea / Output 2ea (Relay)	
Remote Control Interface	RS-485, CCVC(PELCO Coaxitron)	
RS-485 Protocol	SAMSUNG T/E, PELCO-P/D, Panasonic, Honeywell, AD, Vicon, GE, Bosch	
NETWORK		
Ethernet	RJ-45 (10/100BASE-T)	
Video Compression Format	H.264, MPEG4, MJPEG	
Resolution	704 x 480, 640 x 480, 352 x 240, 320 x 240	704 x 576, 640 x 480, 352 x 288, 320 x 240
Max. Framerate	30fps	25fps
Video Quality Adjustment	H.264 / MPEG4 : Compression Level, Target Bitrate Level Control, MJPEG : Quality Level Control	
Bitrate Control Method	H.264 / MPEG4 : CBR or VBR, MJPEG : VBR	
Streaming Capability	Multiple Streaming (Up to 10 Profiles)	
Audio I/O	Line in / Line out	
Audio Compression Format	G.711 u-law	
Audio Communication	2-Way	
IP	IPv4, IPv6	
Protocol	TCP/IP, UDP/IP, RTP(UDP), RTP(TCP), RTSP, NTP, HTTP, HTTPS, SSL, DHCP, PPPoE	
Security	FTP, SMTP, ICMP, IGMP, SNMPv1/v2c/v3(MIB-2), ARP, DNS, DDNS	
Streaming Method	Unicast / Multicast	
Max. User Access	10 users at Unicast Mode	
Memory Slot	SD/SDHC Memory Slot	
ONVIF Conformance	Yes	
Web Viewer	Supported OS : Windows XP / VISTA / 7, MAC OS Supported Browser : Internet Explorer 6.0 or Higher, Firefox, Google Chrome, Apple Safari	
Central Management Software	NET-i viewer	
ENVIRONMENTAL		
Operating Temperature / Humidity	SNP-3120 : -10°C ~ +50°C (+14°F ~ +122°F) / Less than 90% RH, SNP-3120V / SNP-3120VH : -50°C ~ +50°C (-58°F ~ +122°F) / Less than 90% RH	
Ingress Protection	IP66 (SNP-3120V, SNP-3120VH) *Not supported by SNP-3120	
ELECTRICAL		
Input Voltage / Current	24V AC, PoE+ (IEEE 802.3at)	
Power Consumption	SNP-3120 : Max. 15W, SNP-3120V / SNP-3120VH : Max. 15W (Heater Off), Max. 45W (Heater On)	
MECHANICAL		
Color / Material	SNP-3120 : Ivory / Plastic, SNP-3120V : Ivory / Aluminum (Vandal-Resistant type) SNP-3120VH : Ivory / Aluminum (Vandal-Resistant type), Sun-Shield Built-in	
Dimension (WxHxD)	SNP-3120 : Ø174 x 168mm (Ø6.85" x 6.61"), SNP-3120V : Ø165 x 165mm (Ø6.5" x 6.5"), SNP-3120VH : Ø200 x 203mm (Ø7.87" x 7.99")	
Weight	SNP-3120 : 1.2Kg (2.65 lb), SNP-3120V : 1.9Kg (4.19 lb), SNP-3120VH : 2.4Kg (5.29 lb)	



The Eco mark represents Samsung Techwin's will to create environment-friendly products, and indicates that the product satisfies the EU RoHS Directive.

Design and specifications are subject to change without notice.

■ DISTRIBUTED BY



SAMSUNG TECHWIN CO., LTD.
701, Sampyeong-dong, Bundang-gu, Seongnam-si, Gyeonggi-do Korea 463-400
Tel : +82-70-7147-8741~8749, 8752~8760 Fax : +82-31-8018-3745