

AXIS M3014 Network Camera

Ultra-discreet, recessed-mount video surveillance solution



- > Ultra-discreet fixed dome design
- > HDTV quality
- > Multiple H.264 streams
- > Easy installation
- > Power over Ethernet

AXIS M3014 Network Camera, with its innovative and unique design, is specifically developed for recessed mounting in drop ceilings, offering unmatched, discreet video surveillance solution that is ideal for retail stores, banks and other office buildings.

With its ultra-discreet fixed dome design, AXIS M3014 measures only 9 cm (3.6 in) wide and protrudes only 3 cm (1.2 in) from the ceiling. To suit interior design the cover ring is available in a range of colors.

The camera is innovatively designed for quick and easy installation in drop ceilings. Power over Ethernet (IEEE 802.3af) supplies power to the camera via the network, eliminating the need for power cables and reducing installation costs.

The camera uses progressive scan, providing full resolution images of moving objects without distortion, at 30 frames per second. AXIS M3014 delivers HDTV 720p or 1 megapixel video, perfect for critical areas such as entrances or checkouts that need to be monitored in greater detail.

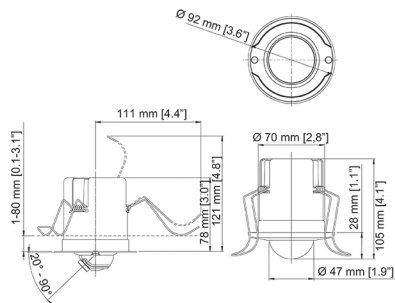
Multiple H.264 streams, as well as Motion JPEG streams, can be provided simultaneously either in full frame rate or individually optimized for different quality needs and bandwidth constraints.



Technical Specifications – AXIS M3014 Network Camera

Camera		Event triggers	Intelligent video
Image sensor	1/4" Progressive scan RGB CMOS 1 megapixel	Event actions	File upload: FTP, HTTP and email Notification: email, HTTP and TCP Pre- and post-alarm video buffering Video recording to edge storage
Lens	2.8 mm, F2.0, fixed iris Horizontal angle of view: 80°	Built-in installation aids	Pixel counter
Light sensitivity	1–100000 lux, F2.0	General	
Shutter time	1/25000 s to 1/6 s	Casing	Metal camera module holder, Plastic camera module casing, Plastic transparent cover and white cover ring
Video		Memory	128 MB RAM, 128 MB Flash
Video compression	H.264 (MPEG-4 Part 10/AVC), Motion JPEG	Power	Power over Ethernet IEEE 802.3af/802.3at Type 1 Class 1
Resolutions	1280x800 to 160x90	Connectors	RJ45 10BASE-T/100BASE-TX PoE
Frame rate	25 fps with power line frequency 50 Hz 30 fps with power line frequency 60 Hz	Edge storage	Support for recording to network share (network-attached storage or file server)
Video streaming	Multiple, individually configurable streams in H.264 and Motion JPEG Controllable frame rate and bandwidth, VBR/CBR H.264	Operating conditions	0 °C to 45 °C (32 °F to 113 °F) Humidity 20–80% RH (non-condensing)
Pan/Tilt/Zoom	Digital PTZ, Preset positions, Guard tour	Approvals	EN 55022 Class B, EN 61000-3-2, EN 61000-3-3, EN 55024, FCC Part 15 Subpart B Class B, ICES-003 Class B, VCCI Class B, C-tick AS/NZS CISPR 22 Class B, KCC KN22 Class B, KN24, EN/UL 60950-1, MIC Class B
Image settings	Compression, Color, Brightness, Sharpness, Contrast, White balance, Exposure control, Exposure zones, Backlight compensation, Fine tuning of behavior at low light, Rotation, Text and image overlay, Privacy mask, Mirroring of images	Weight	260 g (0.6 lb)
Network		Included accessories	Installation Guide, Installation and Management Software CD, Windows decoder 1-user license
Security	Password protection, IP address filtering, HTTPS ^a encryption, IEEE 802.1X ^a network access control, Digest authentication, User access log	Video management software	AXIS Camera Companion (included), AXIS Camera Station and video management software from Axis' Application Development Partners (not included). For more information.
Supported protocols	IPv4/v6, HTTP, HTTPS ^a , SSL/TLS ^a , QoS Layer 3 DiffServ, FTP, SMTP, Bonjour, UPnP™, SNMPv1/v2c/v3 (MIB-II), DNS, DynDNS, NTP, RTSP, RTP, TCP, UDP, IGMP, RTCP, ICMP, DHCP, ARP, SOCKS	Warranty	Axis 1-year warranty and AXIS Extended Warranty option.
System integration			
Application Programming Interface	Open API for software integration, including VAPIX [®] and AXIS Camera Application Platform; AXIS Video Hosting System (AVHS) with One-Click Camera Connection. ONVIF;		
Intelligent video	Video motion detection, Active tampering alarm Support for AXIS Camera Application Platform enabling installation of additional applications		

Dimensions



Optional accessories

Different color options for cover rings



[For Axis CCTV Systems Click Here](#)