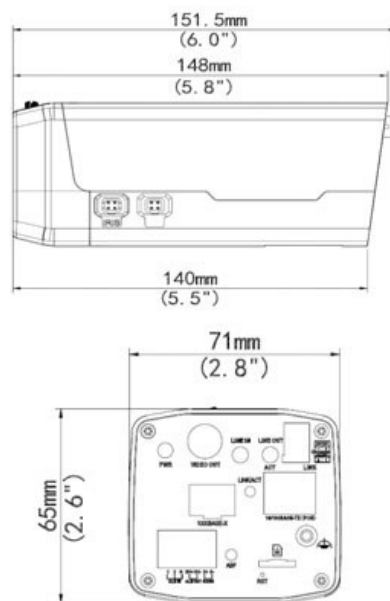


CP- VNC-B21-VMD

2 MP Full HD WDR Network Box Camera

INDIGO



Main Features

- 1/2.8" 2MP PS CMOS Image Sensor
- Max. 25/30fps@1080P
- H.265, MJPEG Triple-stream Encoding
- WDR(120dB), Day/Night (ICR), Corridor mode, 3D DNR, AWB, AGC, BLC, HLC
- C/CS Mount lens, Micro SD, PoE
- 6 KV surge protection designed for network interface
- Supports Instastream technology, save disk space and bandwidth upto 70%
- Mobile Software: Android, iOS
- CMS Software: IVMS



Instastream

CE FC RoHS COMPLIANT

CP- VNC-B21-VMD

2 MP Full HD WDR Network Box Camera



Feature

Image Sensor
Minimum Illumination
Shutter Speed
White Balance
Lens
Focus
Gain Control (AGC)
S/N Ratio
Video Compression
Video Streaming
Resolution
Video Output
Frame Rate
Motion detection
Privacy Mask
ICR
ROI
Audio Input
Audio Compression
Audio Output
Alarm IN
Alarm Out
WDR
Interface
Protocol
Ethernet
OSD
Micro SD

Specification

1/2.8" 2MP Progressive scan CMOS
Colour: 0.02 Lux (F1.2, AGC ON) 0 Lux with IR
Auto/Manual, 1/6~1/8000 s
Auto/Manual
C/CS Mount Lens
Auto/Manual
Auto/Manual
>52dB
H.265, MJPEG
Triple
2MP (1920 × 1080)
1 BNC, impedance 75Ω; amplitude 1 V [p-p]
1080P (1920×1080): Max. 30 fps , 720P (1280×720): Max. 30 fps , D1 (720×576): Max. 25 fps
Supports
Up to 4 areas
IR-cut filter with auto switch (ICR)
Supports
1 Ch.
G.711
1 Ch.
2 IN
1 Out
Upto 120 dB
1 RS485 (support Pelco-D/P)
IPv4, IPv6, IGMP, ICMP, ARP, L2TP, TCP, UDP, DHCP, PPPoE, RTP, RTSP, RTCP, DNS, DDNS, NTP, FTP, UPnP, HTTP, HTTPS, SNMP, SMTP, 802.1x, ONVIF, API
10M/100M Base-TX Ethernet
Up to 8 OSDs
Micro SD, up to 128 GB



CP- VNC-B21-VMD

2 MP Full HD WDR Network Box Camera



Feature

Operating Temperature
Humidity
Power Source
Power Consumption
Dimension
Weight

Specification

-20°C ~ +60°C (-4°F ~ 140°F)
≤ 95% RH (non-condensing)
24 V AC, 12 V DC, or PoE (IEEE802.3 af)
4.8W (6.8W with ICR on)
151.5mm x 71mm x 65 mm
0.48 kg