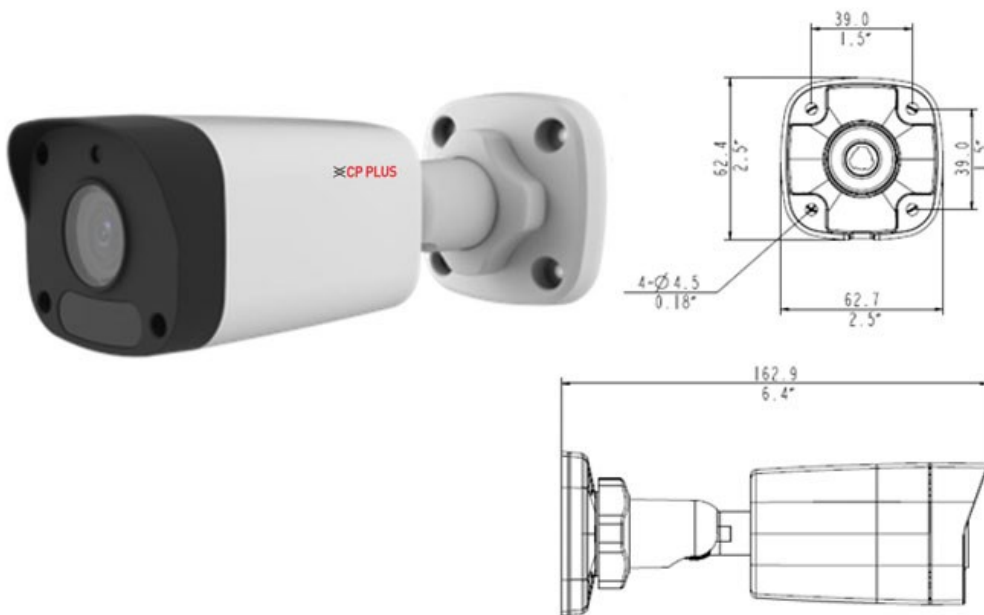


CP- VNC-T21R3**2 MP Full HD Array Bullet Camera - 30Mtr.****INDIGO****Main Features**

- 1/2.7" 2MP PS CMOS Image Sensor
- 1080P: Max. 25 fps , 720P: Max. 30 fps , D1: Max. 8 fps
- H.265, H.264, MJPEG Triple-stream Encoding
- DWDR, Day/Night (ICR), Corridor mode, 2D/3D-DNR, ROI, AWB, AGC, BLC, HLC
- 4mm lens (6mm Optional)
- IR Range of 30 Mtrs, IP66, PoE
- Supports Instastream technology, save disk space and bandwidth upto 70%
- Mobile Software: Android, iOS
- CMS Software: IVMS

**InstaStream****CE FC** **RoHS**
COMPLIANT

CP- VNC-T21R3

2 MP Full HD Array Bullet Camera - 30Mtr.



Feature

Image Sensor
Minimum Illumination
Shutter Speed
White Balance
Lens
Gain Control(AGC)
Video Compression
S/N Ratio
Video Streaming
Resolution
Frame Rate
Motion detection
Privacy Mask
ICR
ROI
WDR
Protocol
Ethernet
IR
OSD
Operating Temperature
Humidity
Power Source
Power Consumption
Weatherproof Standard
Dimension
Weight

Specification

1/2.7" 2MP Progressive scan CMOS
Colour: 0.02 Lux (F1.8, AGC ON) 0 Lux with IR on
Auto/Manual, 1/6~1/100000 s
Auto/Manual
4mm Lens (6mm Optional)
Auto/Manual
H.265, H.264, MJPEG
>52dB
Triple
1920x1080
1080P (1920 x 1080): Max. 25 fps , 720P (1280 x 720): Max. 30 fps , D1 (720 x 576): Max. 8 fps
Up to 2 areas
Up to 8 areas
IR-cut filter with auto switch (ICR)
Supports
DWDR
IPv4, IGMP, ICMP, ARP, TCP, UDP, L2TP, DHCP, PPPoE, RTP, RTSP, RTCP, DNS, DDNS, NTP, FTP, UPnP, HTTP, HTTPS, SMTP, 802.1x, ONVIF, API
1 RJ45 10M/100M Base-TX Ethernet
IR Range of 30 Mtr.
Up to 8 OSDs
-35°C ~ +60°C (-31°F ~ 140°F)
≤ 95% RH (non-condensing)
12 V DC, or PoE (IEEE802.3 af)
Max 5.0 W
IP66
162.9 x 62.4 x 62.7 mm (6.4" x 2.5" x 2.5")
0.25 kg

